

Street Light Policy 2021-01

Purpose

To standardize the selection of streetlight poles, arms, fixtures, and placement of poles for the village.

Installation and Removal

Requests to install new streetlights, their associated poles, and fixtures on established streets and the removal of existing streetlights, their associated poles, and fixtures on established streets shall be submitted for approval to the Village Board.

Streetlights for new streets or developments shall conform to this policy and be approved as referenced in Section 83.97 of the Village of Cross Plains Municipal Code of Ordinances.

Streetlight poles and arms

Pre-stressed concrete 29-foot poles with associated arms defined in the attached specification labeled "CROSS PLAINS - 1" should be used. When village owned poles serviced by an underground distribution system regardless of their material composition or height need to be replaced due to damage or failure a 29-foot pre-stressed concrete pole should be used.

Light fixtures shall be mounted so that the fixture is approximately 25 feet above pavement level regardless of type of pole or distribution system.

Streetlight fixtures

2700K or less full cutoff LED fixtures with a light output of 3500 lumens or less should be used. 2200K LED fixtures may soon be widely available and should be considered for future use as the color of this light is similar to the existing high pressure sodium fixtures currently in use.

Fixtures should have a 7-pin control receptacle, have an installed field adjustable dimming controller, and should be of a Type II (2) light distribution.

2700K fixtures, in order of preference, are the 2700K Leotek ComfortView fixture and the 2700K Cooper Streetworks Archeon Nano fixture. In the situation that neither of these fixtures are available, the Village shall install fixtures of a comparable light output, light color, and design.

Specialized Streetlight Neighborhoods

Neighborhoods that have specialized street lighting and poles shall use fixtures and lighting that meet the equivalency of this policy or 70-watt-or-less high-pressure sodium fixtures.

Main Street (Highway 14) street lights are exempt from this policy.

Pole Placement

Street lights should be considered at all intersections. Where intersections are more than 480 feet apart, mid-block streetlights may be considered with lengths between lights of less than 240 feet being avoided.

Existing dedicated street light poles or existing multi-use poles with street lights attached will be replaced as near as possible to their current location in the event such replacement is necessary due to upgrades, damage, or failure of the existing pole or any other reason the existing pole needs to be replaced.

Policy Variance

Any variance to this policy will be submitted for approval to the Village Board prior to installation. This includes but is not limited to requests for increased illumination or the use of an alternate pole.

Policy Updates and Amendments

The Village acknowledges that streetlighting technology, availability of equipment and material, and costs may impact policy decisions in the future. Therefore, it is recommended that this policy is reviewed from time to time to ensure that it is up to date.

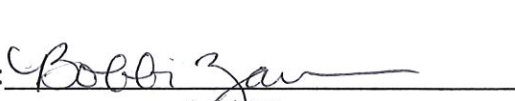
Street Light Policy #2021-01 will take effect immediately upon adoption by the Village Board for the Village of Cross Plains.

Dated this 22nd day of March, 2021.

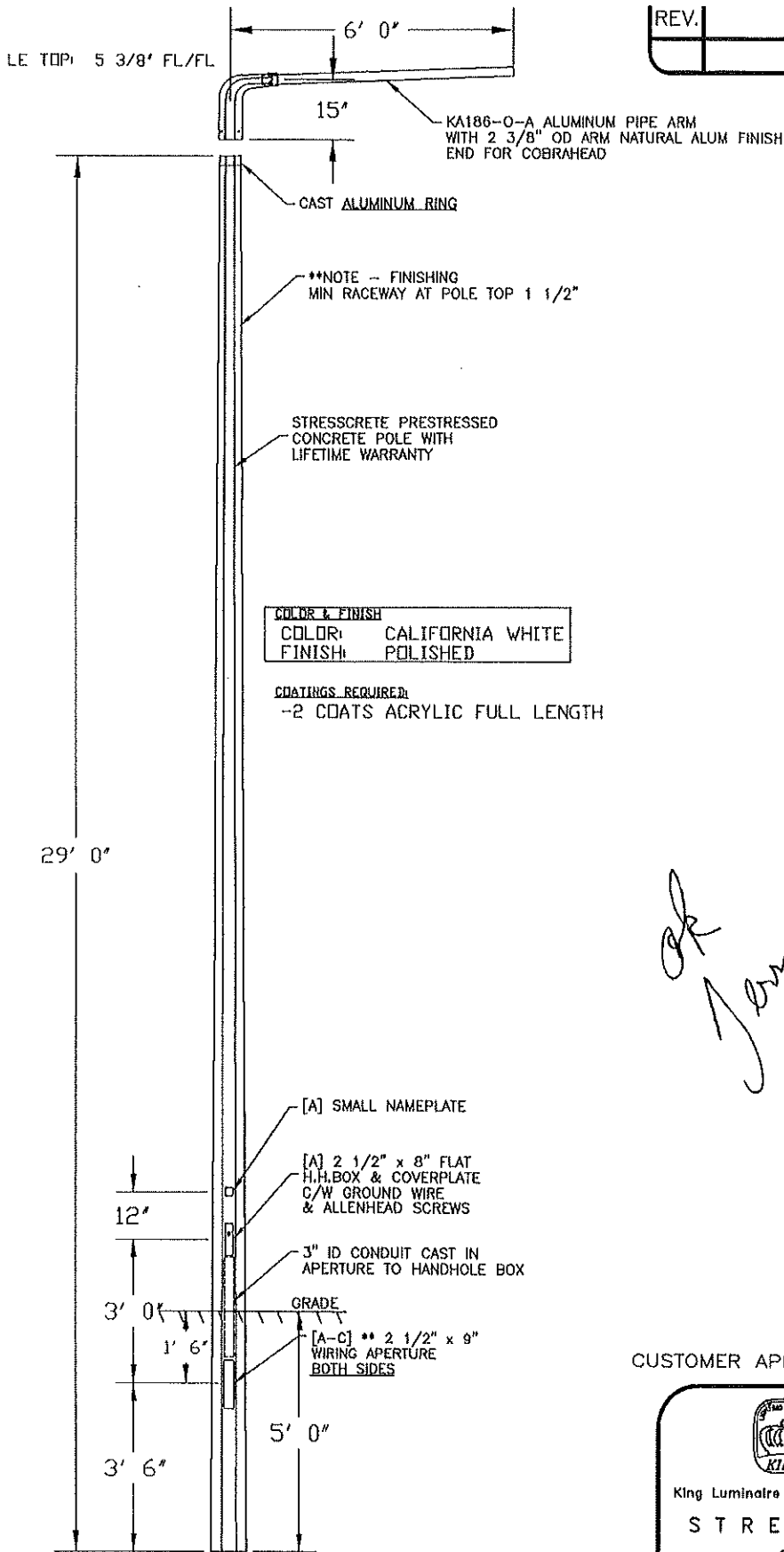
Village of Cross Plains:

Attest:

By: 
Jay Lengfeld
Village President

By: 
Bobbi Zauner
Finance Director/Clerk

REV.	ALTERATION	DATE	BY



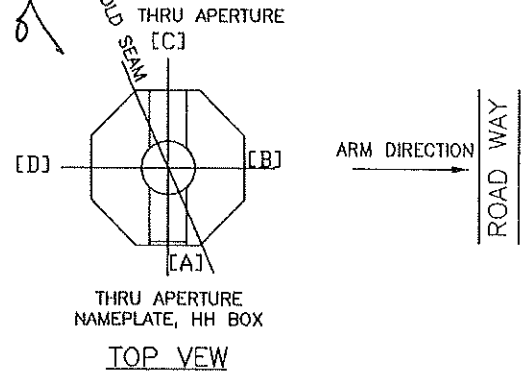
CUSTOMER ORDER No:
STRESSCRETE ORDER No:

CATALOG NO.:	E-290-BPO-G-S31-DB
	C/W KA186-0-A
LOADING:	6' ARM & COBRAHEAD
CONCRETE STR.:	8,000 PSI @ 28 DAY
ULT GRND LINE.:	19,800 FT-LBS
MOMENT:	
SECTION:	OCTAGONAL
COLOR:	CALIFORNIA WHITE
FINISH:	POLISHED
POLE LENGTH:	29' 0"
POLE TOP:	5 3/8' FL/FL
POLE BUTT:	9' FL/FL
APPROX. WGT.:	1,291 lbs
RACEWAY:	1 1/2" TO POLE TOP MIN 3' HH TO APER
QUANTITY:	



COLOR & FINISH	
COLOR:	CALIFORNIA WHITE
FINISH:	POLISHED

COATINGS REQUIRED:
-2 COATS ACRYLIC FULL LENGTH

OK
Sam Khan
9/28/2020
CP



CUSTOMER APPROVAL & DATE:

  King Luminaire • StressCrete • Est. 1953 STRESSCRETE GROUP	Manufacturing Locations: Burlington, Ontario 1-800-268-781 Northport, Alabama 1-800-435-65 Atchison, Kansas 1-800-837-1024 Jefferson, Ohio 1-800-268-7809
	PROJECT/CUSTOMER: CROSS PLAINS, WI

CONTRACTOR TO INSTALL BURNDY KSU22 6-26 UNIVERSAL SERVIT SPLIT BOLT CONNECTORS (OR EQUIVALENT), CONNECTING THE #6 COPPER WIRE FROM THE POLE TO THE LUMINAIRE GROUND & A SEPARATE CONNECTOR BONDING POLE TO SUPPLY GROUNDING CONDUCTOR."

Notes:
StressCrete makes no claims that the reference embedment depth shown is suitable for supporting this structure. It is recommended that a competent professional evaluate the soils present on site, confirming required embedment depth, hole diameter and backfill material to be used.

DRAWN BY:	AT:	CHECKED BY:	DATE:	REVISION:
MJ	SC3		9-25-20	
DRAWING TYPE:			DRAWING NUMBER:	
CONCEPT DRAWING			CROSS PLAINS - 1	